

SSEF, ATS & Intel ISEF Briefing

21 Feb 2018 (Wed)

Hwa Chong Institution (High School)

Pre-Judging Comments

- Provide students and teachers with qualitative feedback from judges
- Learn from strengths; work on areas of improvement
- Judges' comments should not be used to challenge the outcome of the projects
- Judges' decisions are final and no further correspondence will be entertained

Important Information

Dates

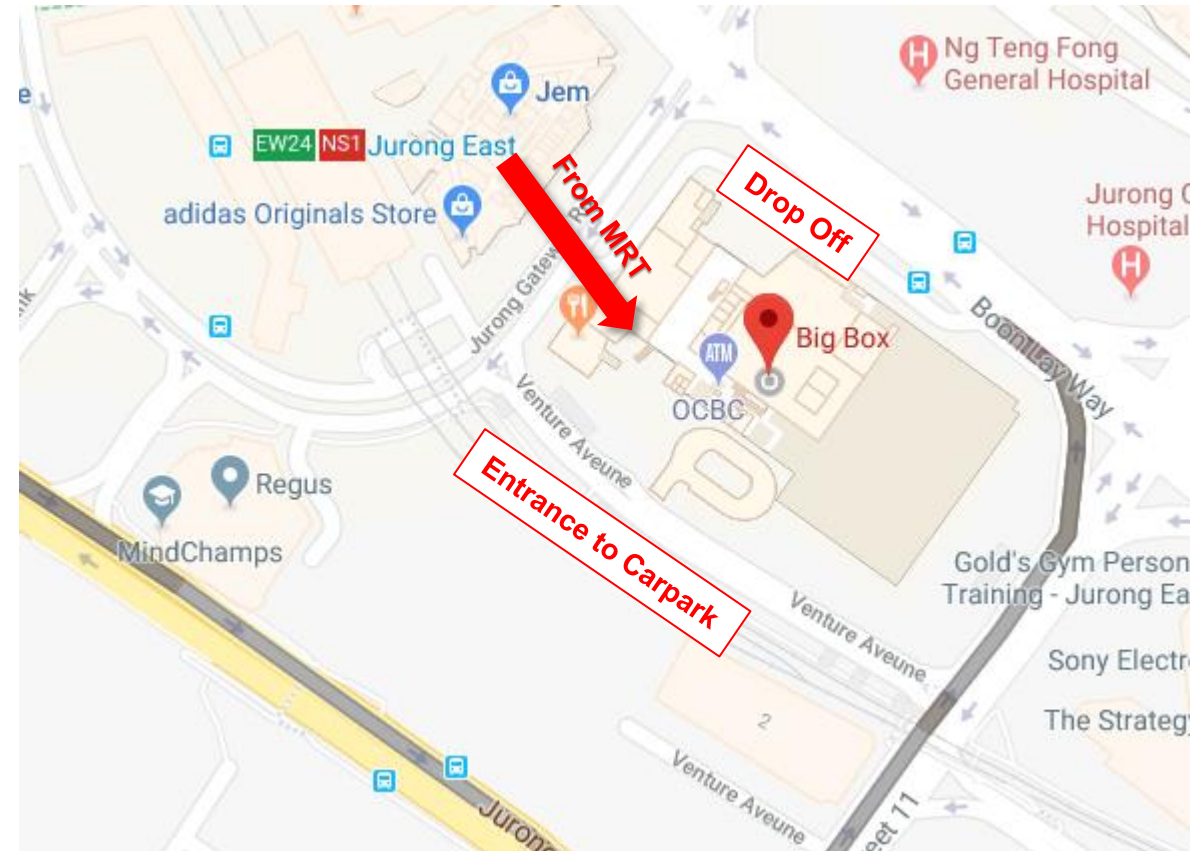
- 6 Mar Tues PM: Project set-up, safety and display check
- 7 Mar Wed: Final Judging
- 8 Mar Thurs: Public Day and Awards Presentation

Venue

- Big Box Singapore (nearest MRT: Jurong East)
- mega.Box event hall, Level 3

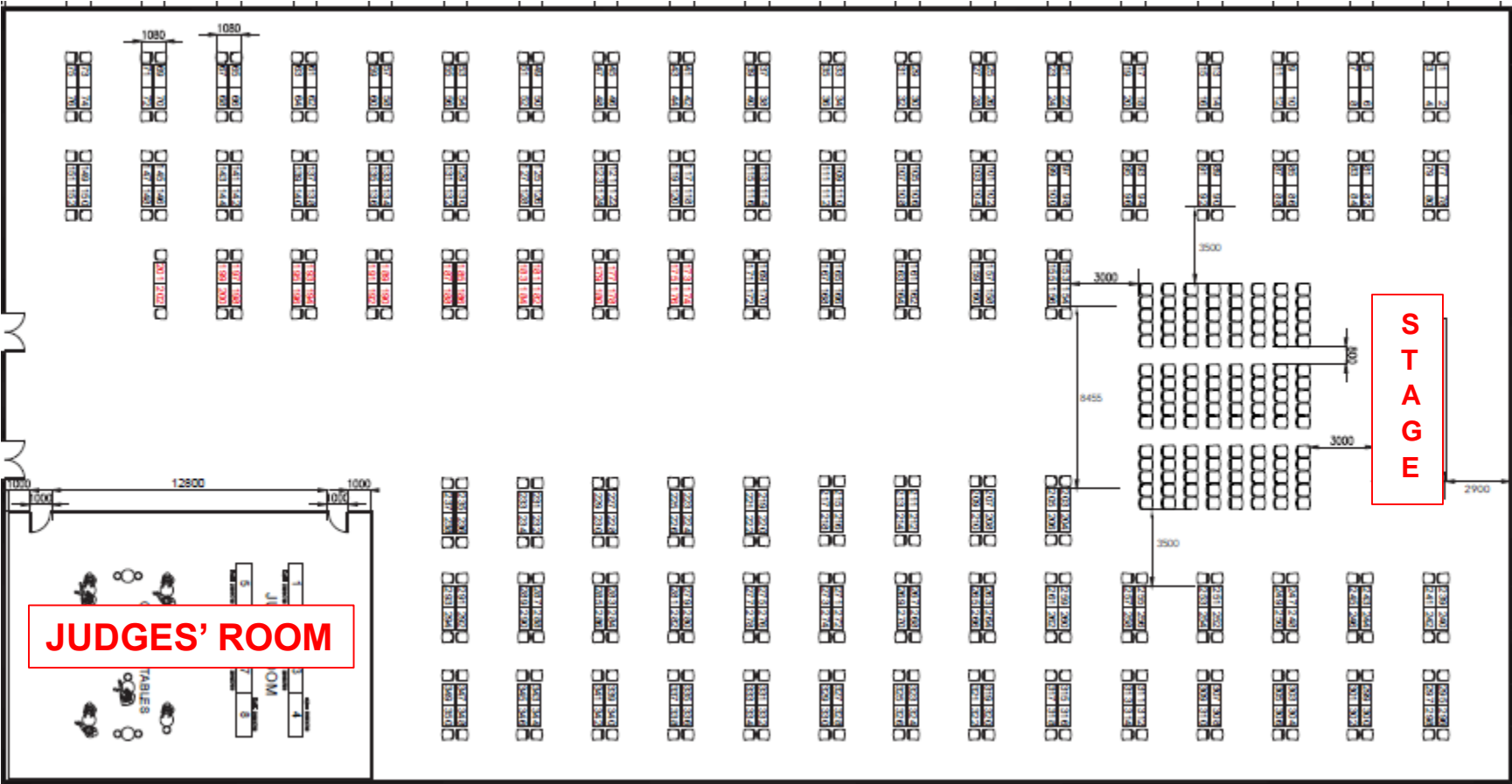
Directions

- Drop off at Boon Lay way front entrance
- Entrance to carpark from Venture Avenue
- School buses can drop off on level 3 unloading bay right outside the hall (from carpark entrance at Venture Avenue)
- Link bridge through JEM from MRT
- Take **ONLY LOBBY A lift** or **escalators** up to **level 3**



<https://www.bigbox.com.sg/pages/getting-here>

Exhibition Layout



REGISTRATION

JUDGES' ROOM

STAGE

UNLOADING BAY

Report between 2pm and 4pm

**6 Mar 2018 (Tue)
2pm – 5pm**
Project Set-Up
Safety and Display check

Report by 8.30 am

**7 Mar 2018 (Wed)
9am – 5.30pm**
Final Judging Day

Report by 10:45am

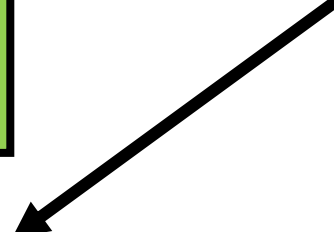
**8 Mar 2018 (Thu)
11am – 5.30pm**
Public Day & Award Presentation
(Prize Presentation starts around 3.15pm)

26 Mar 2018 (Mon)
ATS short-listing

24 Apr 2018 (Tues)
ATS final judging

Apr 2018
**ATS and SSEF
Joint Award
Presentation
Ceremony**

13 – 19 May 2018
**Intel ISEF (Pittsburgh,
Pennsylvania, USA)**



ATS finalists

ATS
Winners

SSEF
Winners

Intel ISEF
Finalists

Project Set-Up

(6 Mar 2018, Tues, 2pm – 5pm)

Report at mega.Box between 2 – 4 pm to take attendance and confirm booth number

Items to Prepare:

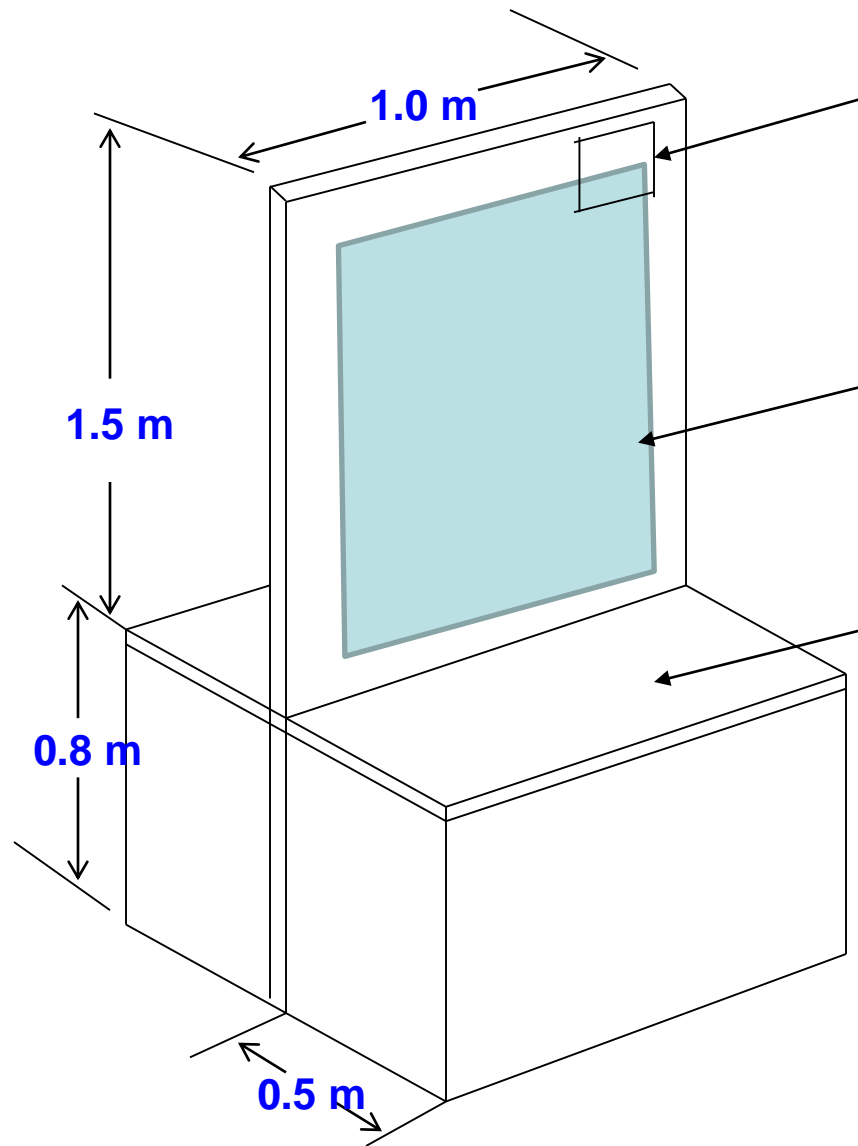
- All display materials (poster and exhibits)
- Velcro tape (with double sided adhesives) for mounting of poster
- Copies of abstract (for judges & visitors)
- Form 1C, 7 if applicable
- Paper and tape to cover up logos / acknowledgements if applicable



Display Booth

One 5-amp electrical point will be provided at each booth

Log Book and supporting documents highly recommended



Project ID/
Booth Number
(will be provided)
(30cm wd x 11cm ht)

Poster to be kept
within dimensions
allowed: Max A0

For Laptops,
display of
exhibits (not
exceeding area
of table)

Project Set-Up

(6 Mar 2018, Tues, 2pm – 5pm)

- **WARNING: Do not stand on the table when putting up your poster**
- Keep your booth and its surroundings clean and tidy
- No valuables (including laptop) should be left at mega.Box overnight

Project Set-Up

(6 Mar 2018, Tues, 2pm – 5pm)

- Look for SSEF officials to inspect your booth
- Stickers will be given for every item cleared for display
- **Booths must be approved before judging commences**
- After clearance, no changes to the booth are allowed without approval from SSEF officials
- Students must leave the hall by 5 pm

Items at Display Booth

- Refer to Intel ISEF 2018 – Display and Safety Regulations for details
- <https://sspcdn.blob.core.windows.net/files/Documents/SEP/ISEF/2018/Rules/Book.pdf>
- **Form 1C** must be vertically displayed on the booth (*for projects done in Regulated Research Institutions, e.g. A*STAR, NUS, NTU, etc.*)
- **Continuation project** must have continuation project **Form 7** vertically displayed



Items at Display Booth

You are **not allowed** to display

- awards / medals,
 - business cards,
 - flags,
 - logos (including names of schools and research institutes),
 - CDs,
 - endorsements and/or acknowledgements (graphic or written),
- or have them on any display item (including poster, laptop, log book), during Final Judging Day.

Final Judging Day (7 Mar 2018, Wed)

- **9am – 5.30pm** (all participants must be present)
- Registration starts at **8.30am**
- Attire – **School uniform with blazer**
- Collect your SSEF ID tag & collar pin and wear them at all times
- Bring your student pass for ID verification

Final Judging Day (7 Mar 2018, Wed)

- Meal vouchers will be provided for lunch @ Big Box Food Court
- Lunch: **1pm – 2pm**
- With the exception of lunch, remain at your booth until your project has been judged by all assigned judges.
- Judges will sign on your card (to be given to you on 7 Mar).
- Proceed to registration booth with the card after your project has been judged by all assigned judges. You can go home after that.
- If you need to go to the restroom, inform participants next to your booth and return promptly.

ISEF **MA003**

PLEASE REQUEST FOR THE SIGNATURE OF THE RESPECTIVE JUDGES.
RETURN TO REGISTRATION STAFF ONCE COMPLETED.

| JUDGE CODE | SIGNATURE |
|------------|-----------|
| 003 | |
| 1124 | |
| 108 | |
| 003 | |
| 123 | |
| 456 | |

8 March 2017 | Singapore Science and Engineering Fair 2017

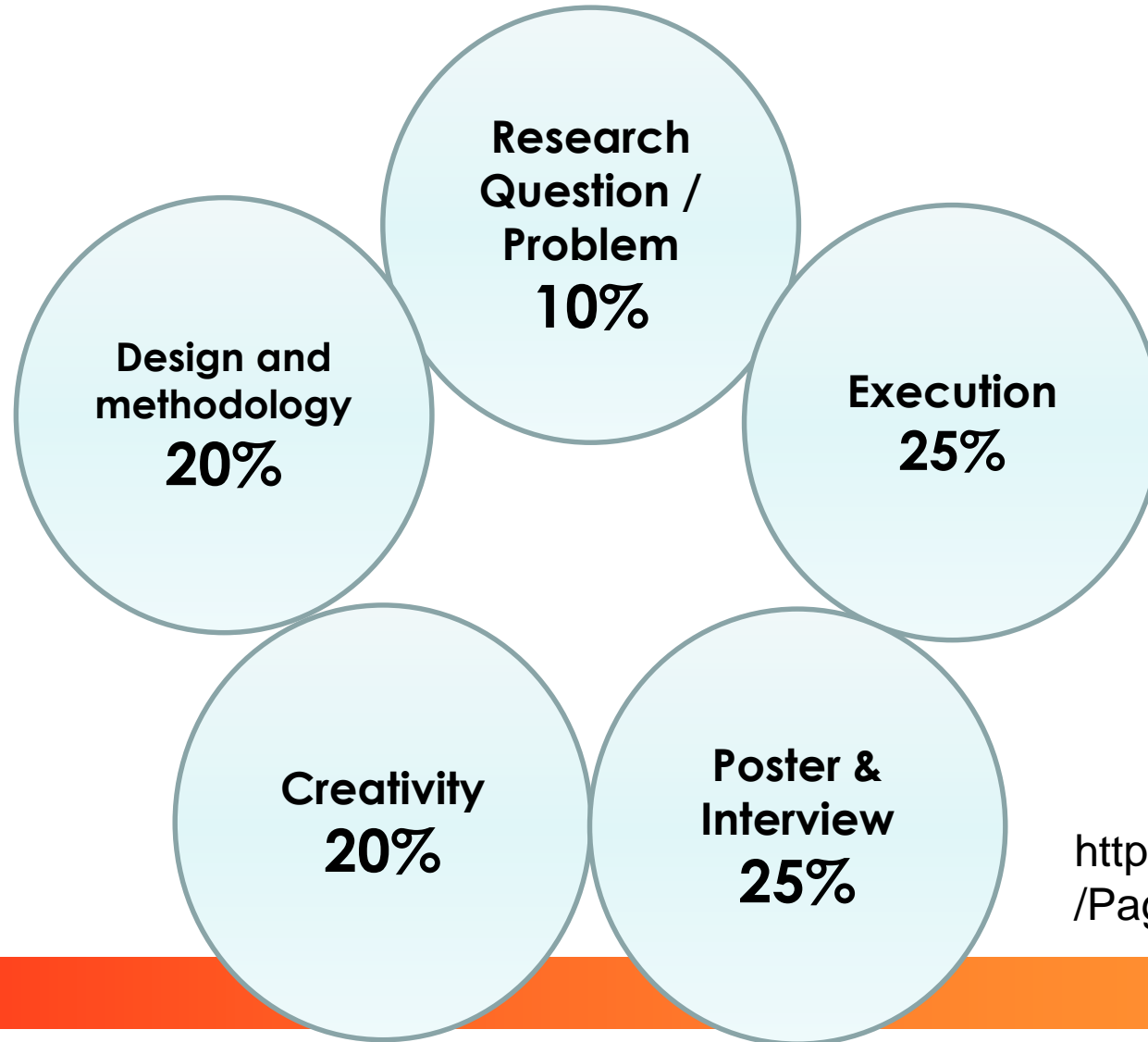
Final Judging Day (7 Mar 2018, Wed)

- You may bring reading materials but games, cards and expensive personal items are not allowed.
- Do not remove the display posters from the booth at the end of the day.
- Keep booth and area around tidy and clean.
- Do not block walkways or create traffic.
- Keep noise level down at all times and be considerate for others.

Advice for Final Judging Day

- Don't deliver a lengthy monologue
- Keep your presentation to about 3 min: focus on the unique 'selling' point of your project
- Judges may interrupt your presentation at any time to ask questions, so be alert and adaptable
- Be polite to judges at all times; seek to clarify if you are unclear
- Take this opportunity as learning from experts in the field of your research

Judging Criteria for SSEF 2018



<http://www.science.edu.sg/events/Pages/SSEF2018.aspx>

Public Day (8 Mar 2018, Thurs)

- Open to schools & the public from **11.00am to 5.30pm**
- Encourage teachers, students, friends and relatives to visit the Fair – Free Admission!
- **Report at registration booth by 10:45am**
- Attire – School uniform with blazer, wear your SSEF ID Tag at all times
- Meal vouchers will be provided for lunch @ Big Box Food Court
- Lunch: **12 pm – 1 pm**

Public Day (8 Mar 2018, Thurs) - Programme

| Time | Event |
|-----------------|------------------------------------------------------------------------------------------------------------------------------------------------------------|
| 11.00am | Start of Student Exhibition |
| 11.30am | Talk <ul style="list-style-type: none">• Mr Kelvin Tan, NUS Enterprise |
| 12.00pm | Lunch |
| 1.00pm – 3.00pm | Talks: <ul style="list-style-type: none">• Dr Luis Fernando D'Haro, I2R, A*STAR• Sharing by Singapore Representatives for ISEF 2017 |
| 3.15pm | Prize Presentation |
| 5.30pm | End of Student Exhibition |

Public Day (8 Mar 2018, Thurs)

- Be present at your booth and engage visitors by explaining your project to them
- Be polite at all times: you are an ambassador of your school
- Results of SSEF 2018 will be announced starting around 3.15pm:
 - Special Awards, Gold and Intel ISEF will be announced at the central stage
- Project tear down immediately after prize presentation.
- All students must leave the hall by 6pm.

SSEF Awards

| Award | Individual | Team (Graduated Increase) |
|---------|---------------------------------|----------------------------|
| Gold | S\$400 vouchers + Trophy + Cert | 2pax: \$600 3pax: \$800 |
| Silver | S\$250 vouchers+ Trophy + Cert | 2pax: \$375 3pax: \$500 |
| Bronze | S\$150 vouchers + Trophy + Cert | 2pax: \$225 3pax: \$300 |
| Merit | S\$100 vouchers + Cert | 2pax: \$150 3pax: \$200 |
| Special | Variable | |

SSEF Special Awards

- To recognise projects that excel in areas beyond the scope of the judging criteria
- Sponsored by external organisations:
 - Institution of Engineers Singapore
 - Institution of Chemical Engineers Singapore
 - Singapore Association for the Advancement of Science
 - Singapore Society for Microbiology and Biotechnology
 - Yale-NUS
- Judging criteria is decided by the organisation

Intel International Science and Engineering Fair (ISEF) 2018

- 6 SSEF projects will be chosen to represent Singapore at Intel ISEF 2018 in Pittsburgh, Pennsylvania, USA
- 13 – 19 May 2018
- Students must be Singaporeans or PRs
- More information at: <https://student.societyforscience.org/intel-isef>



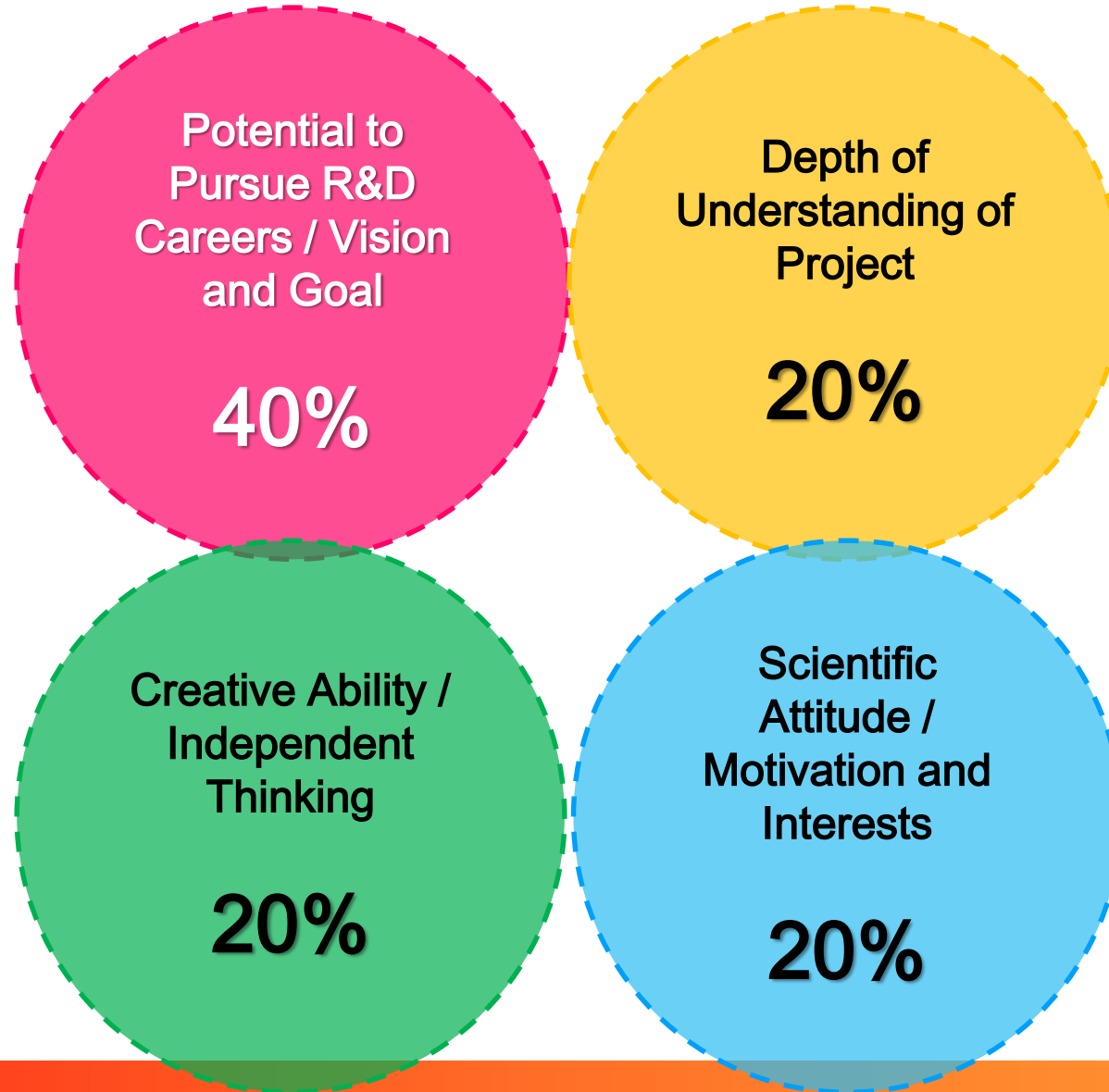
Contacts

| | | |
|------------------|----------------------------|------------------------|
| Ms Pamela Loke | Pamela_Loke@science.edu.sg | For SSEF & ATS Matters |
| Ms Grace Leong | Grace_Leong@moe.gov.sg | For SSEF Matters |
| Mr Koh Siak Peng | Koh_Siak_Peng@moe.gov.sg | |
| Dr Alice Tan | TAN_Siew_Hwey@moe.gov.sg | |
| Mr Neo Chai Seng | NEO_Chai_Seng@moe.gov.sg | |

A*STAR Talent Search Short-listing (26 Mar 2018)

- Only SSEF participants who have won a **bronze, silver or gold award** will be invited for the short-listing round.
- You will receive an email notification **before 16 March 2018** with the judging schedule and venue.
- Short-listing will take the format of **15 min interviews** (5 min presentation, 10 min Q&A) with a panel of judges.
- Bring your **project poster** and **log book** to show to the judges.
- Only **one member** from each team is eligible (new rule since 2016)

ATS Scoring Scheme



ATS Final Judging (24 April 2018)

- **8 finalists** will be invited for the final judging round.
- Finalists will receive an email notification **before 6 April 2018** with the judging schedule and venue.
- The final judging will take the format of **25 min interviews** (5 min presentation, 20 min Q&A) with a panel of judges.
- Prepare a 5 min **PowerPoint presentation** for the interview.

ATS Awards 2018

| Award | Prize | Points allocated to school |
|---------------------|--------------------------------------------------------------------------------------------------------|----------------------------|
| First | Cash prize plus a sponsored trip to overseas conference worth S\$5,000 in total + Trophy + Certificate | 5 |
| Second | S\$3,000 + Trophy + Certificate | 3 |
| Third | S\$2,000 + Trophy + Certificate | 2 |
| Commendation Prizes | S\$1,000 + Certificate | 1 |